



**GL115 w/OPTIONAL
FLAMMABLE CABINET**



GL125

The Model GL115 has the same useful features as the Model GL110 with the added bonus of a larger sink basin. The larger sink basin allows the unit to be equipped with an optional disposal unit.

Standard Design Features:

- Available in two sizes: 48 in./121 cm. long and 60 in./152 cm. long
- All stainless steel construction of the entire work area and all exterior closure panels.
- Integral sink with mixing faucet
- Exhaust duct for connection to building ventilation system with adjustable bellows
- Top mounted fluorescent light fixture
- Incandescent light with 3x magnifier mounted on flexible arm
- Formalin container with spigot
- C-fold paper towel holder, stainless steel
- Magnetic instrument holder
- Polyethylene dissecting board (Photo Blue)

* All measurements in inches/centimeters



GL120

MODEL **GL115** PATHOLOGY WORKSTATION

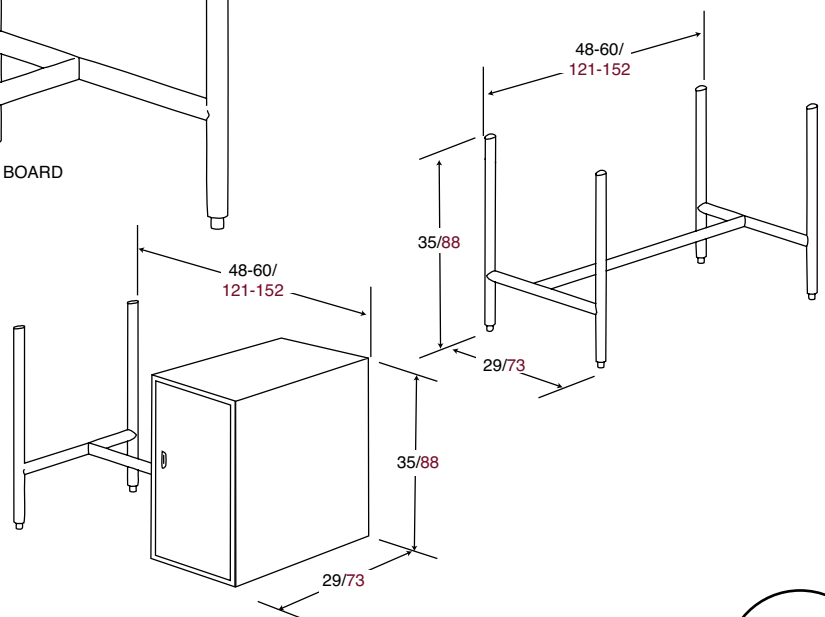
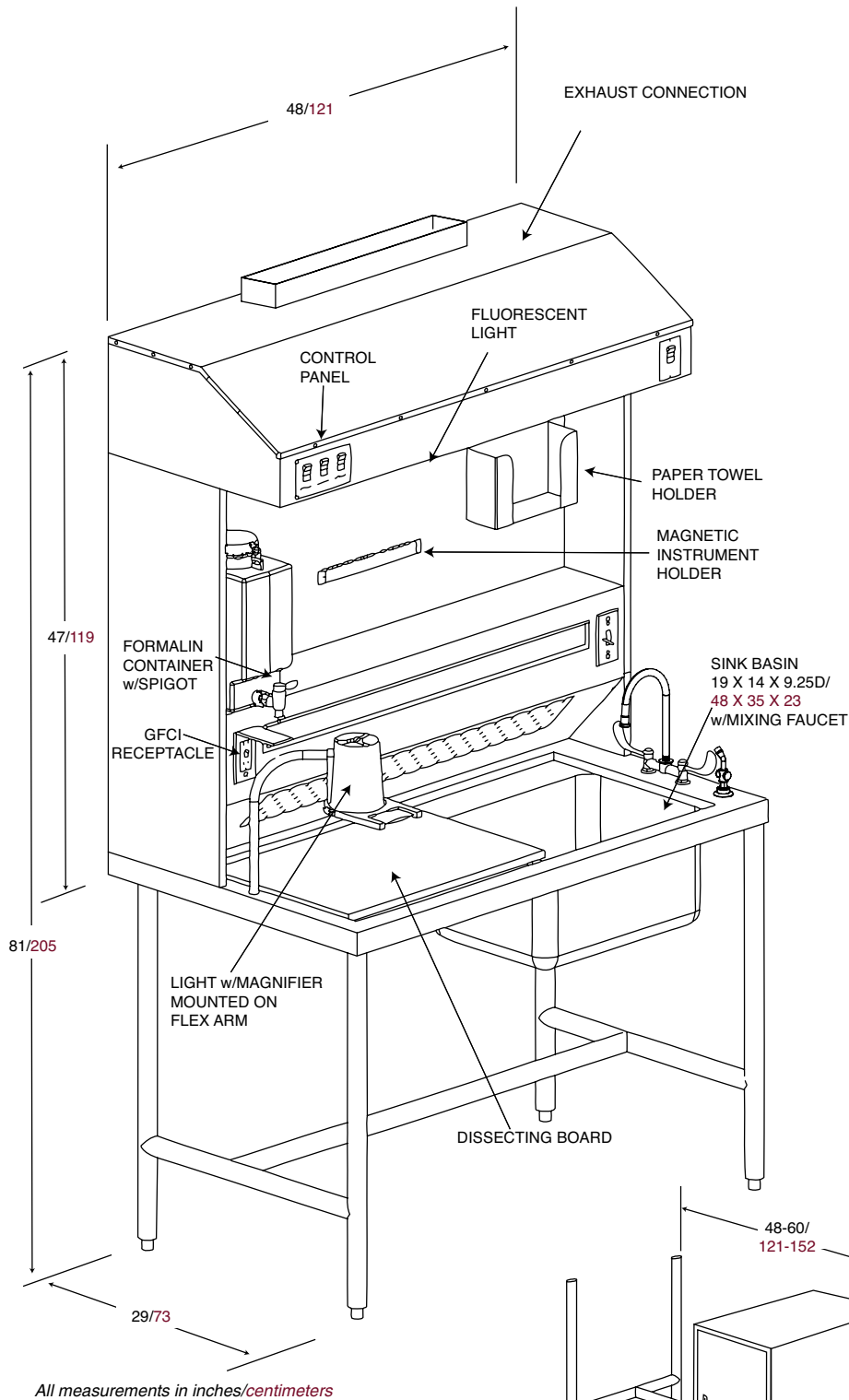
MODEL GL115

LAYOUT DRAWING & OPTIONAL FEATURES

MEDICAL EQUIPMENT SOURCE, LLC
 "Where quality, service & experience come together"
 364 Mars-Valencia Rd
 Mars, PA 16046
 PH: 724-369-1604
 Fax: 724-625-2235

Optional Accessories

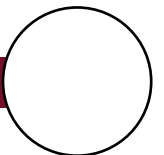
- Heavy-duty commercial disposal (3/4 hp, 1 hp, 2 hp)
- Self Contained Ventilation Assembly
- CO2 valves / oxygen valves / vacuum valves/compressed air valves
- Digital platform scale, 4 lbs./2 kg capacity, economy or premium grades available
- Model GL 120 or Model GL 125 Pathology Station Bases w/cabinet
- Computer monitor and keyboard stand premium or standard grades available
- CPU stand
- Flex arm halogen or incandescent lights
- Plexiglass splash shield
- Hands free controls for water features and disposal
- Cassette holder
- Form holder
- Ventilated trash container
- Replacement filters Model GL112
- Camera mount facilities
- Video camera mount
- Removable measuring rule
- Dictation machine w/footswitch or voice operations
- Dictation equipment stand
- Microphone on flex arm
- Spray hose assembly
- Eyewash assembly
- Utility drawer
- Flammable storage cabinet
- Three side rinse
- End rinse assembly
- Dissection area rinse
- Stainless steel shelving
- Formalin dispensing and/or collection system
- Glove box holder
- Foot pedal faucet w/cover



Options based on available space.

When planning an order, please call us and we will assist you in determining which options to choose.

PATHOLOGY GROSSING STATIONS





Monitor and Keyboard Stand

Flex Arm Halogen Lights

Form Holder

Cassette Holder

Plexiglass Splash Shield

Dictation Equipment Stand

Stainless Steel C-Fold Paper Towel Holder

Hands Free Controls

Ventilated Trash Container

Monitor and Keyboard Stand

Designed for your flat panel monitors and keyboards, the articulating arm allows placement in a variety of positions

Cassette Holder

Conveniently holds cassettes within arms reach and removable boxes mount to rail on front of unit

Stainless Steel C-Fold Paper Towel Holder

Surface mounted towel dispenser fabricated of type 304 (18-8), 22 gauge stainless steel with exposed surfaces in satin finish, tumbler lock to secure hinged front panel and towel dispenser capacity of 400 C-fold towels

Flex Arm Halogen or Incandescent Lights

Constructed to withstand heavy vibration while retaining its position, produces over two times more light output than a 100 watt bulb while remaining cool, 3 in./7 cm. x 3 in./7 cm. filter and a 25 in./63 cm. flexible steel gooseneck delivers light exactly where needed

Plexiglass Splash Shield

Can be mounted over the work area to protect the user while still providing excellent visibility of the work area, flex arm allows easy adjustability

Hands Free Controls

Available for easy On/Off control of the table rinse, mixing faucet, waste disposal and lighting

Form Holder

Sturdy construction and can be mounted to store documents away from any fluids and risk of damage

Dictation Equipment Stand

Made of stainless steel and is provided to hold customer supplied dictation equipment

Ventilated Trash Container

Made of stainless steel, can be provided for waste disposal, top lid removes to hold a trash liner and 1.5in./3 cm. duct attaches to station exhaust system for fume removal

GROSSING STATION ACCESSORIES

GROSSING STATION ACCESSORIES

MEDICAL EQUIPMENT SOURCE, LLC
 "Where quality, service & experience come together"
 364 Mars-Valencia Rd
 Mars, PA 16046
 PH: 724-369-1604
 Fax: 724-625-2235



Heavy Duty Commercial Disposal



Full Plexiglass Enclosure



Digital Scales



Replacement Filters



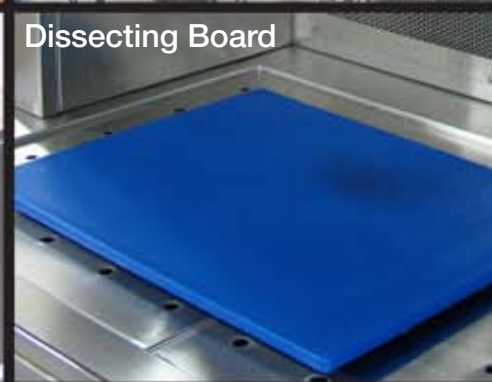
Camera Mount



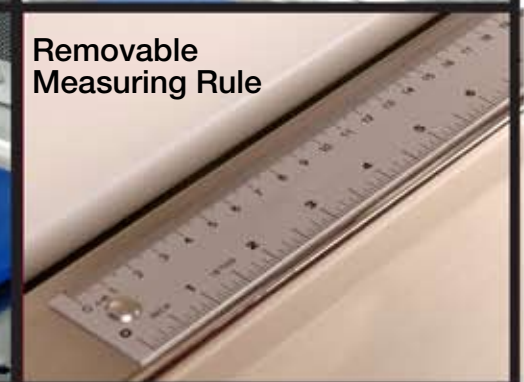
Video Camera Mount



Exhaust Duct Connection



Dissecting Board



Removable Measuring Rule

Heavy Duty Commercial Disposal
 (1/2 hp, 3/4 hp, 1 hp, 2hp) It delivers superior performance, quiet operation, maximum energy efficiency and long service life, corrosion resistant stainless steel construction

Replacement Filters Model GL112
 Activated filter for odorous fumes and formaldehyde fumes

Exhaust Duct Connection
 To building ventilation system-bellows exclusive material allows for an aesthetically pleasing appearance, easy cleaning and ease of attachment, plus resistance to wear

Full Plexiglass Enclosure
 Covers and protects the working area for sanitary purpose, constructed of .5 in./1 cm. plexiglass

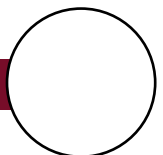
Camera Mount
 Hold still cameras securely, adjustable knob clamping system allows you to put your camera in the right place, and allows for ease of adjustment and better pictures

Dissecting Board
 Polypropylene construction to help preserve dissecting knives and scalpels when in use (Photo Blue)

Economy Grade Scale or Digital Platform Scale (2 Kg)
 Compact scales are lightweight, portable and perfectly suited for use in laboratory and education applications.

Video Camera Mount
 Hold video securely, adjustable ball-and-socket system, not only lets you put your video camera right where you want it, but allows for ease of adjustment and better coverage.

Removable Measuring Rule
 provides a device for ruling a portion of the subject, the ruler includes a scale in centimeters and inches





Dictation Machine w/Footswitch



Spray Hose Assembly



Fluorescent Magnifier Light



Flex Arm Magnifier Light



Eye Wash Assembly



Hot and Cold Foot Valve



Microphone on Flex Arm



**Compressed Air Valves
CO2 Valves, Oxygen Valves
Vacuum Valves**



Magnetic Instrument Holder

Dictation Machine w/Footswitch

Remote controlled taping with cue index and hand held dictation or conference recording

Flex Arm Magnifier Light

Mounted on station to direct focused light over work area, incandescent lights available with magnifiers and up to two units can be placed on each station, reticulated magnifier with fluorescent lighting allows for positioning in various areas

Microphone on Flex Arm

Slides from side to side and adjustable to the perfect height

Spray Hose Assembly

Easy grip assembly with flexible hose, conveniently placed for easy spray cleaning of debris

Eyewash Assembly

Conveniently placed for your safety, provides a quick wash for any hazardous chemicals, biohazards and debris.

Air and Gas Valves

Ruggedly constructed, designed for setting volume and pressure to isolate flow on your grossing station

Fluorescent Magnifier Light-3X

Flexible spring-balanced arm, 3-diopter (L712) or 5-diopter lens (L7125), supplied with 22-watt Circline fluorescent tube, plastic splash guard, convenience outlet in base, 3-conductor cord, and handle on shade permits easy positioning

Hot and Cold Foot Valve

Sturdy constructed foot pedal to help keep your hands free while working

Magnetic Instrument Holder

conveniently store and organize your most commonly used instruments within arms reach

GROSSING STATION ACCESSORIES

GROSSING STATION ACCESSORIES

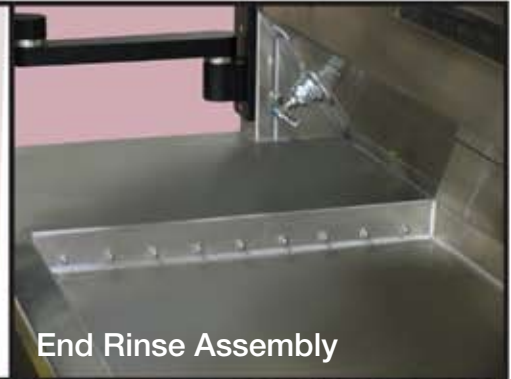
MEDICAL EQUIPMENT SOURCE, LLC
 "Where quality, service & experience come together"
 364 Mars-Valencia Rd
 Mars, PA 16046
 PH: 724-369-1604
 Fax: 724-625-2235



Self Contained Ventilation Assembly



Flammable Storage Cabinet



End Rinse Assembly



Utility Drawer



Rinse Assembly Valve



Pull Out Writing Platform



GL125 Base Assembly w/Cabinet (GL110 and GL115 only)



Three Side Rinse



Sink Basin

Self Contained Ventilation Assembly

Consisting of 2-3 blowers (depending on the size of the unit), filters to clean, recycle air and safely remove polluted air from work area

Utility Drawer

Constructed of all stainless steel this drawer is ideal for additional storage of utensils, office supplies or personal items

GL125 Base Assembly w/Cabinet

Designed for GL110 and GL115 for a refined look and functionality,

Flammable Storage Cabinet

Securely store all your flammable and combustible liquids in this compact safety storage cabinet. Its heavy duty steel construction ensures a lifetime of use. Finally, its leakproof 2" pan catches inadvertent spills.

Rinse Assembly Valve

Rugged constructed, stylish valve that controls the flow of the end & perimeter rinses

Three Side Rinse

provides a constant flow of water below the work surface to wash debris toward the sink basin. Unit can be manually controlled by valve or is hands free controlled

End Rinse Assembly

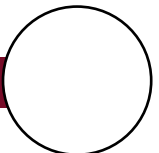
Allows debris to flow toward the sink basin. Unit can be manually controlled by valve or is hands free controlled

Pull Out Writing Platform

Sturdy stainless steel construction provides a reliable smooth surface for writing and conveniently hides away

Sink Basin

All stainless steel construction with crease toward the drain opening to direct flow and inside corners that are rounded for ease in cleaning





**Swing Nozzle
w/Vacuum Breaker**



Fluorescent Light



Formalin Spigot



Stainless Steel Shelving



X-Ray Illuminators



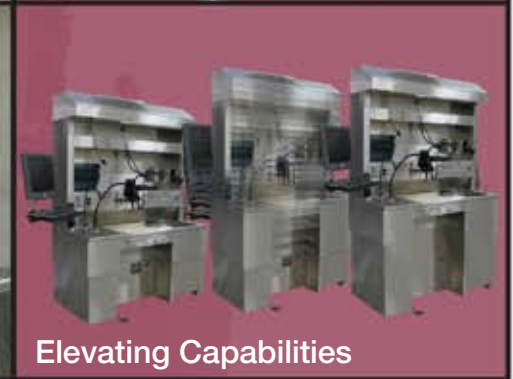
Foot Pedal Cover



**Carboy Formalin
Container**



Glove Box Holder



Elevating Capabilities

**Swing Nozzle
w/Vacuum Breaker**

Adjusts to left or right for rinsing and will prevent back flow

Stainless Steel Shelving

All stainless steel construction adds additional space for storage placement of accessories

**Carboy
Formalin Container**

Space-saving rectangular shape, excellent chemical resistance, a good choice for storing and dispensing stock solutions

Fluorescent Light

Long lasting efficient way of lighting any workstation

X-Ray Illuminators

Great for X-ray viewing, can be mounted next to or applied to your grossing station. Devices are intended to aid in the reading of medical x-ray films using back lighting. Illuminators utilize a universal body design that offers two-, three- or four-lamps per panel. Illuminators are shipped with lamps ready to install and operate.

Glove Box Holder

Stainless steel support to hold latex and nitrile gloves

Foot Pedal Cover

Stainless steel construction, removes easily to conceal and protect water lines

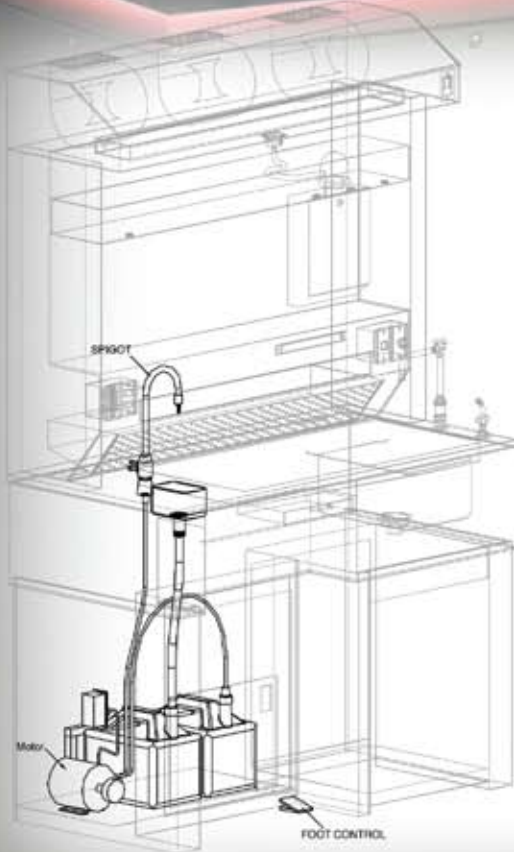
Elevating Capabilities

Adjustable height to accommodate the operator with ergonomical area for sitting

**GROSSING STATION
ACCESSORIES**

GROSSING STATION FORMALIN SYSTEM

MEDICAL EQUIPMENT SOURCE, LLC
"Where quality, service &
experience come together"
364 Mars-Valencia Rd
Mars, PA 16046
PH: 724-369-1604
Fax: 724-625-2235



FORMALIN SYSTEM

Mortech can design a system to fit any grossing station. A formalin system will consist of a supply (Formalin Reservoir or a Carboy Dispenser) which is released from a dispensing spigot which enters into a collecting sink and finally drains into a waste reservoir.

Call for more information on designing your system.

Systems can be provided per station or one central supply station can be designed to supply multiple units.

